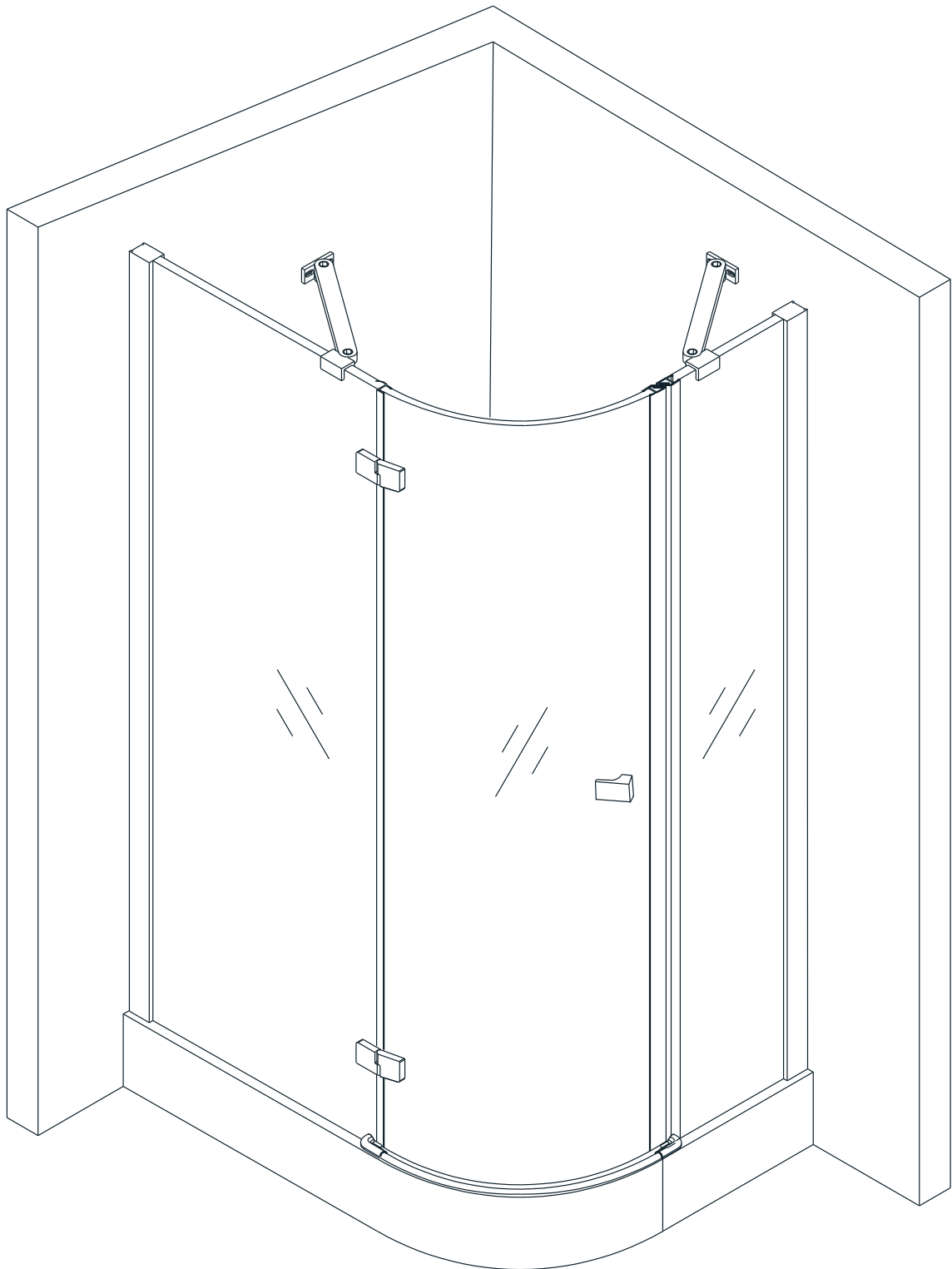
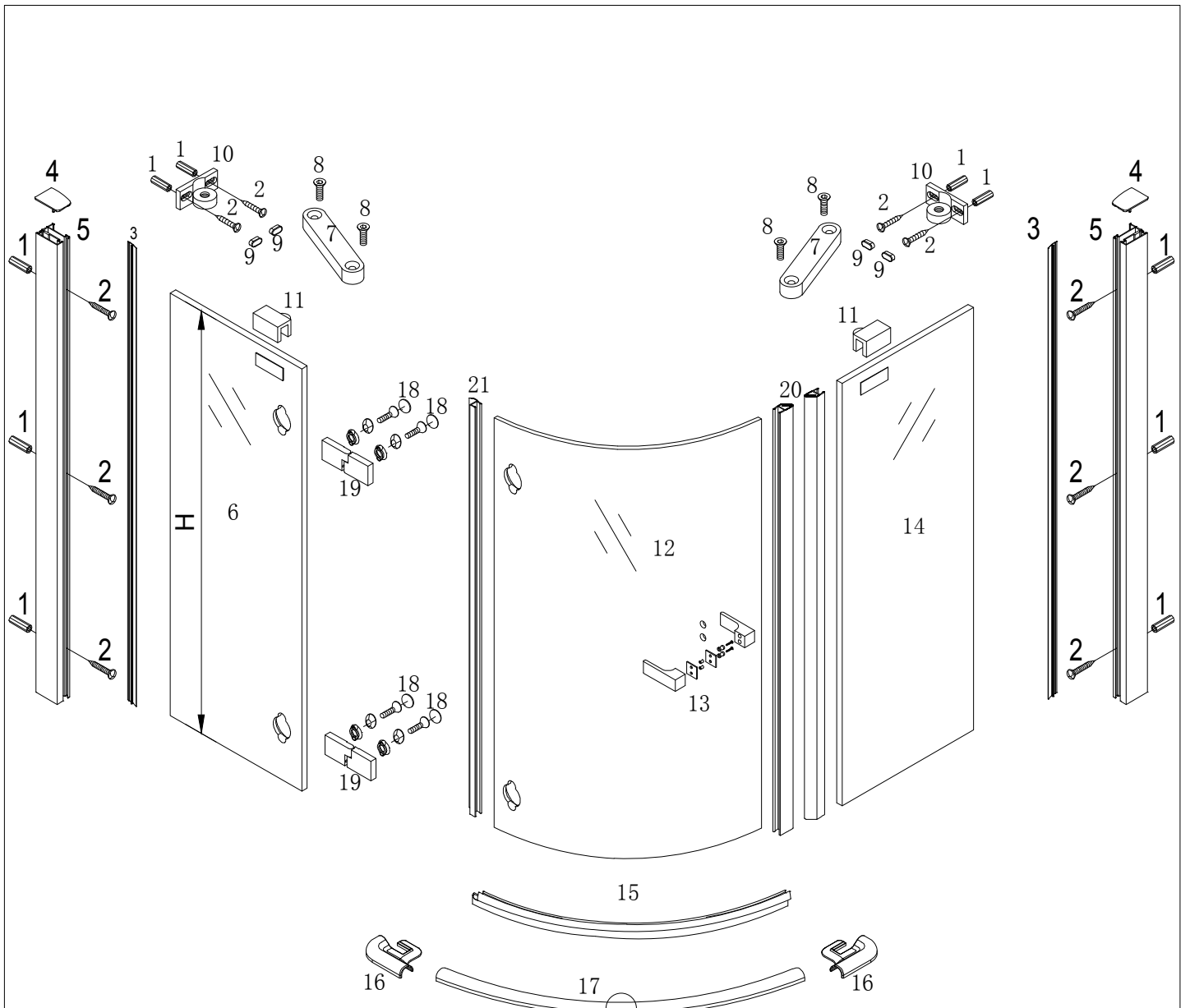


FORTIS LINE

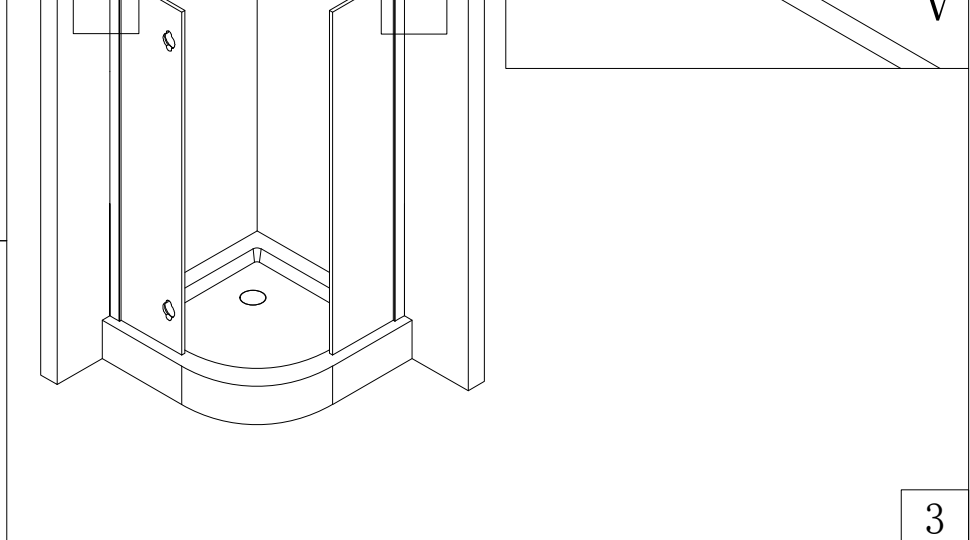
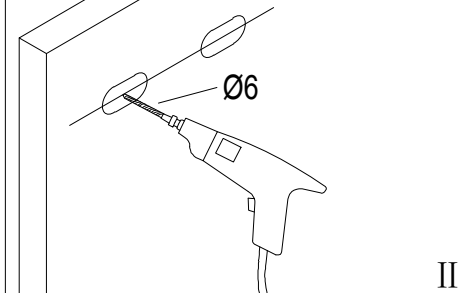
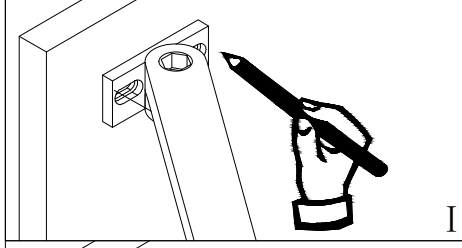
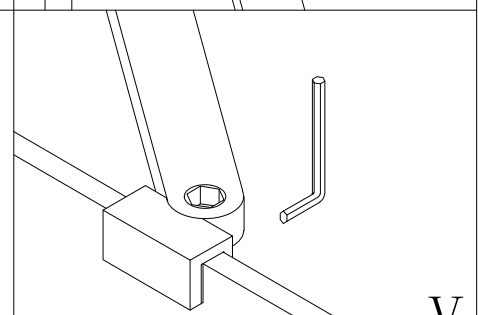
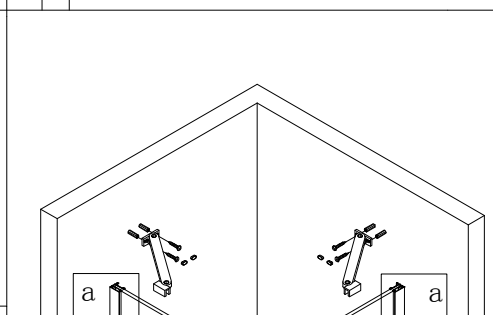
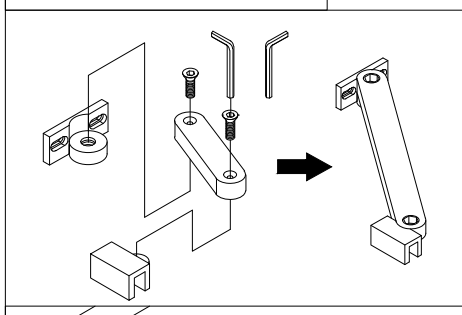
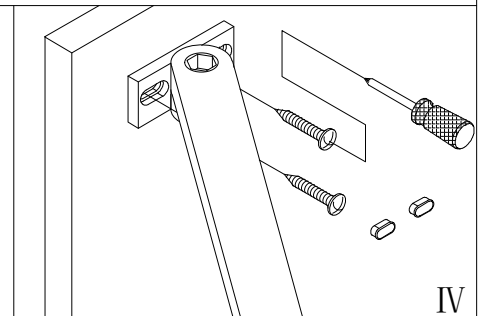
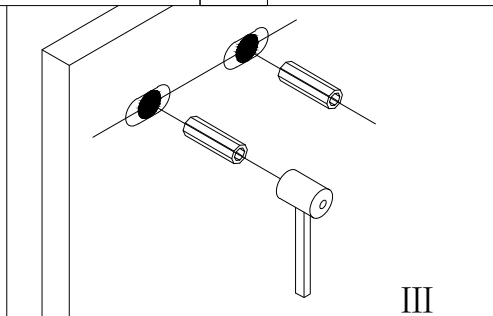
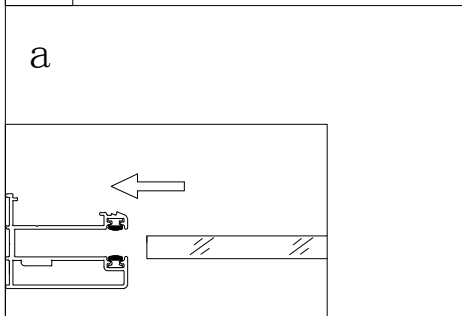
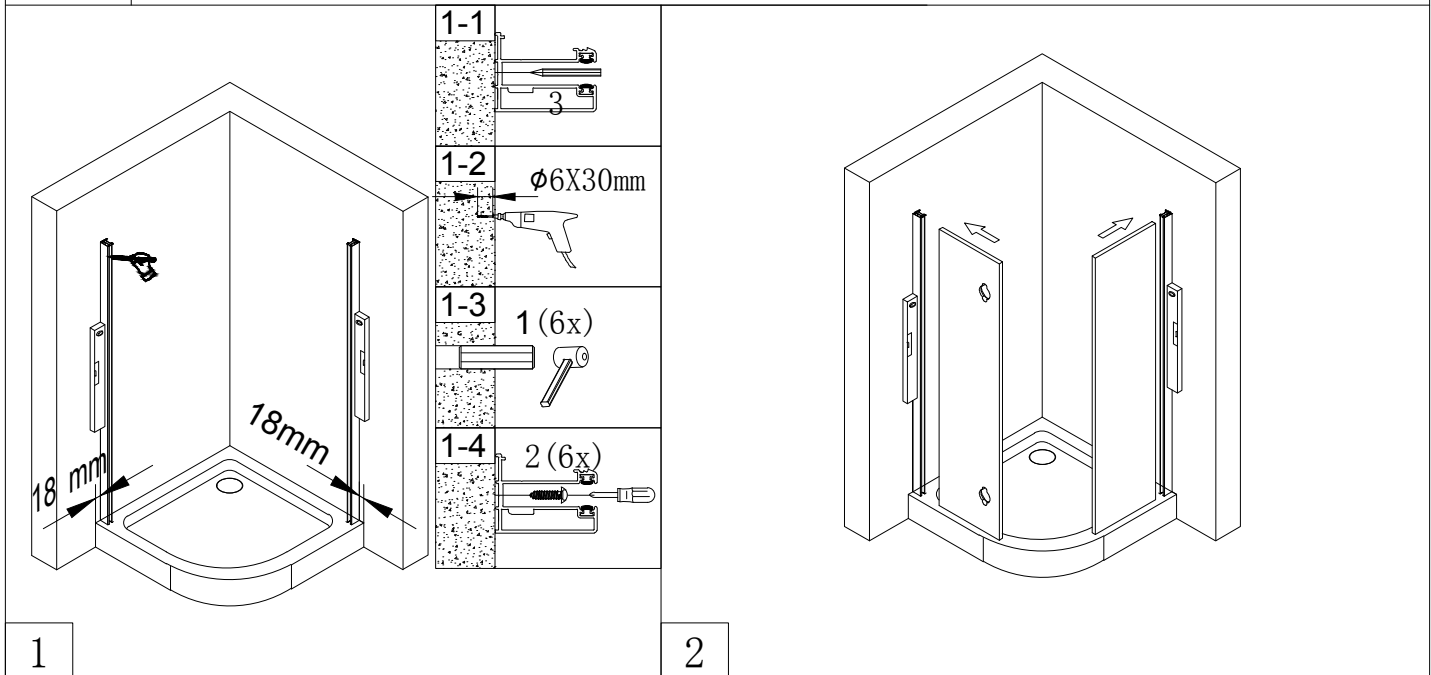
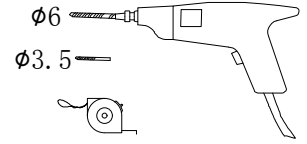
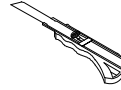
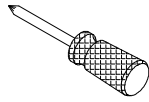
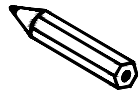
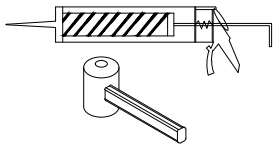


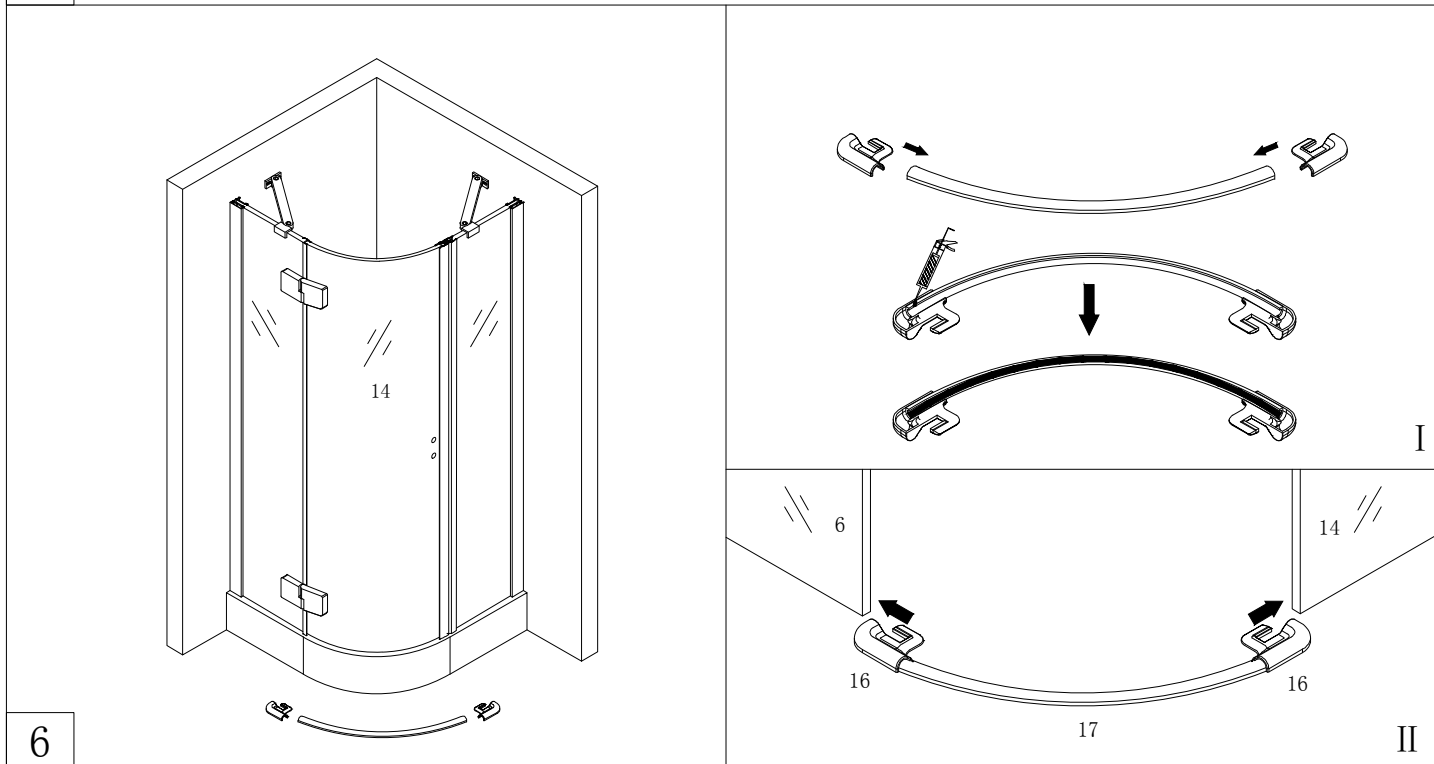
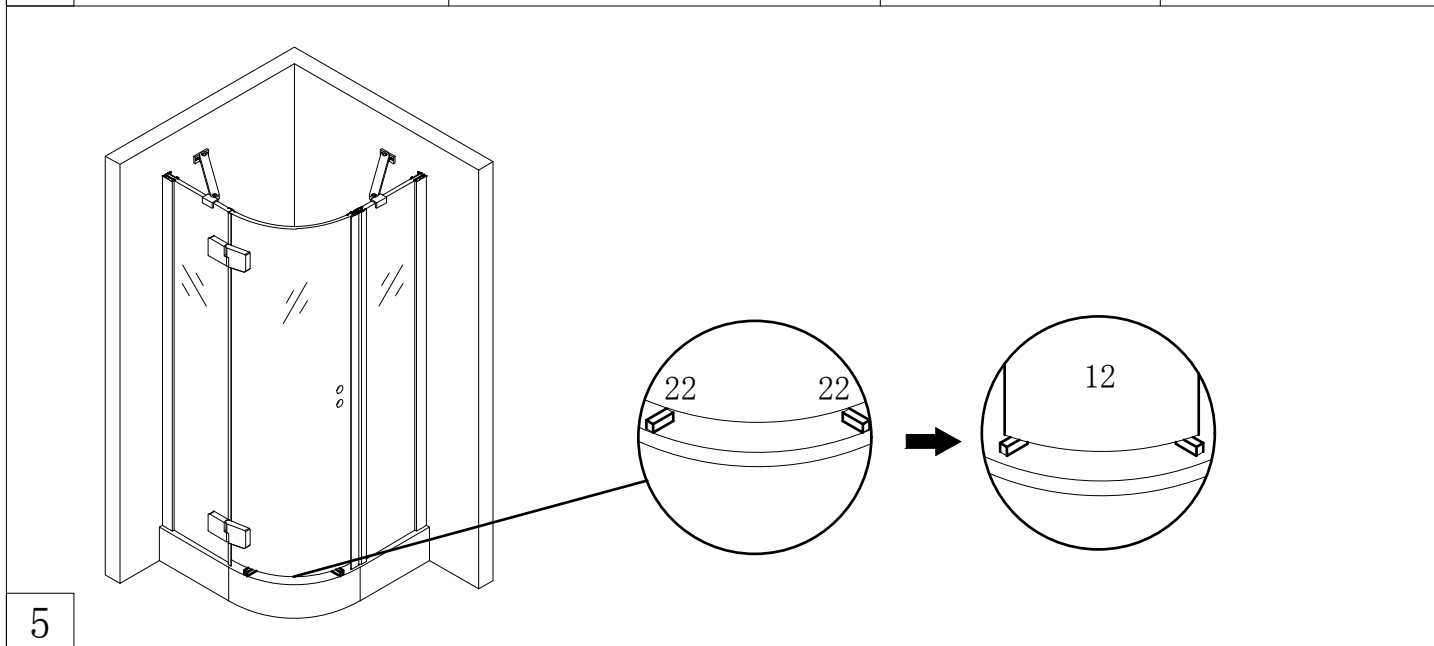
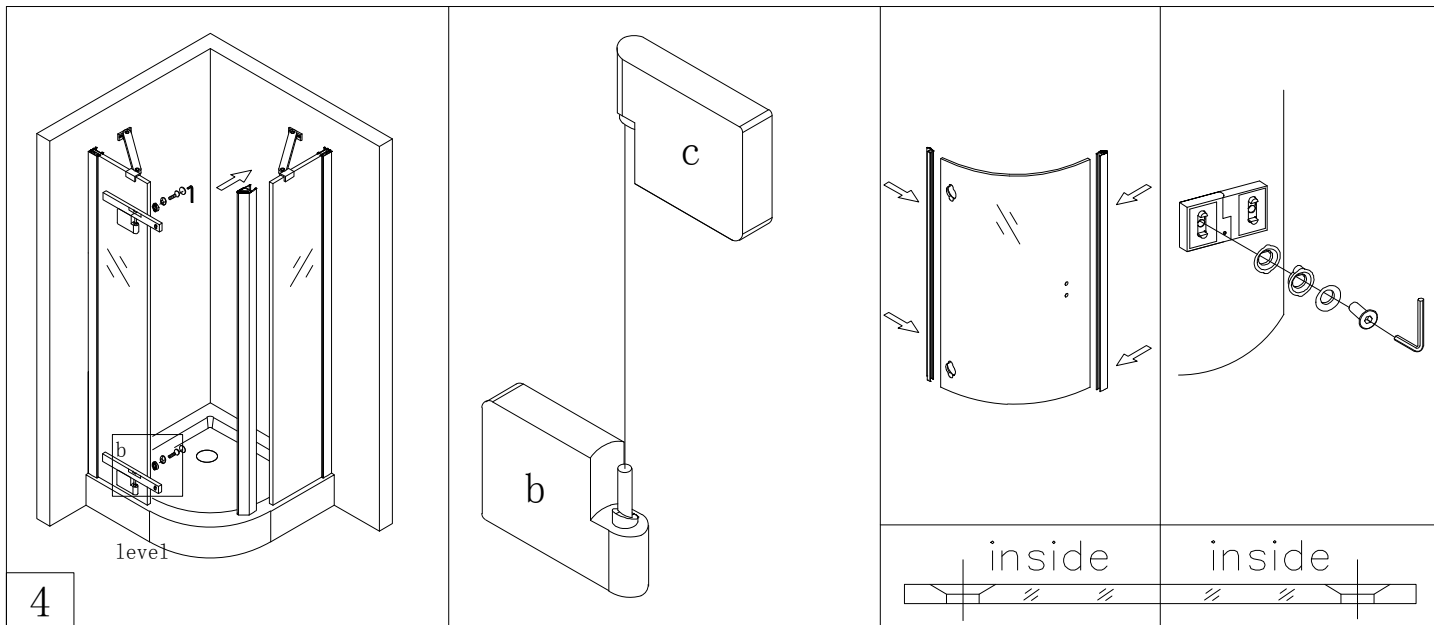
FL5090L ,FL5090R
FL5190L ,FL5190R
FL5290L ,FL5290R

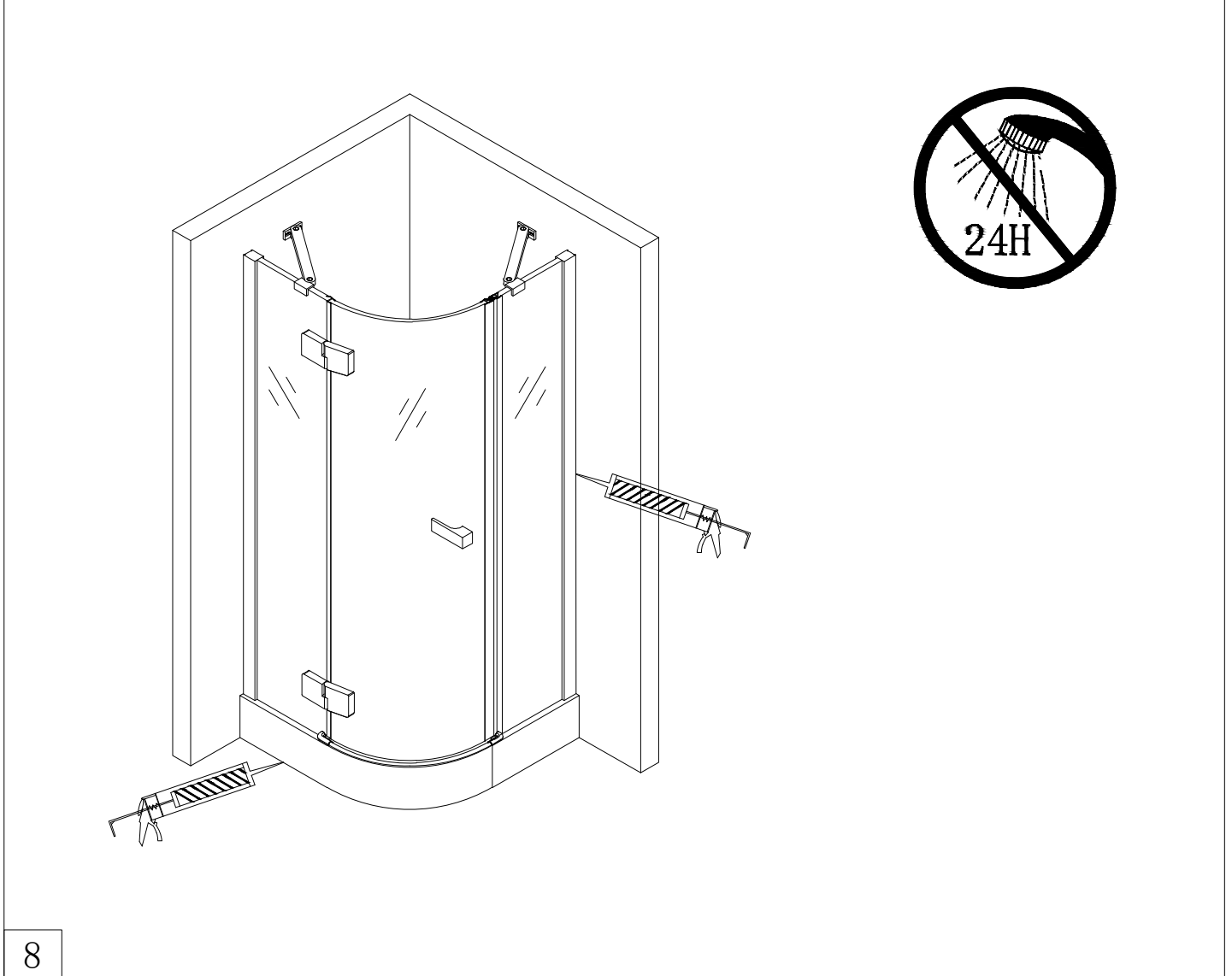
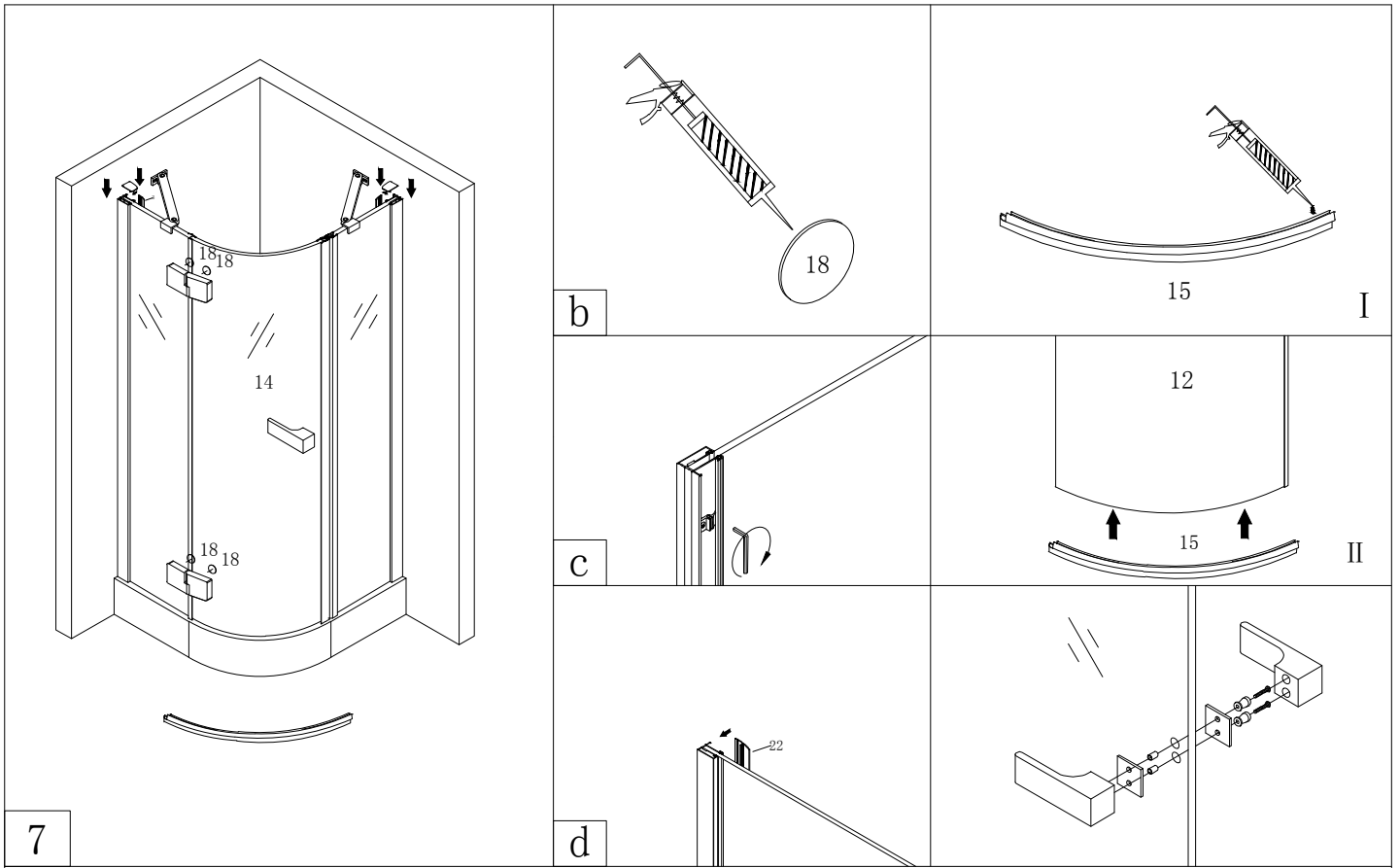


20	21	22	1
1Pcs	1Pcs	2Pcs	10Pcs
2	3	4	5
ST4X30 		L R 	
10Pcs	2Pcs	2Pcs	2Pcs
8	9	10	11
M6X15 			
4Pcs	4Pcs	2Pcs	2Pcs
14	15	16	17
1Pc	1Pc	2Pcs	1Pc
12	13	18	19
1Pc	1Pc	4Pcs	2Pcs

Tools:









Nesměřice 52
285 22 Zruč nad Sázavou
Česká republika

tel.: +420 327 585 981

fax: +420 327 585 989

www.polysan.net