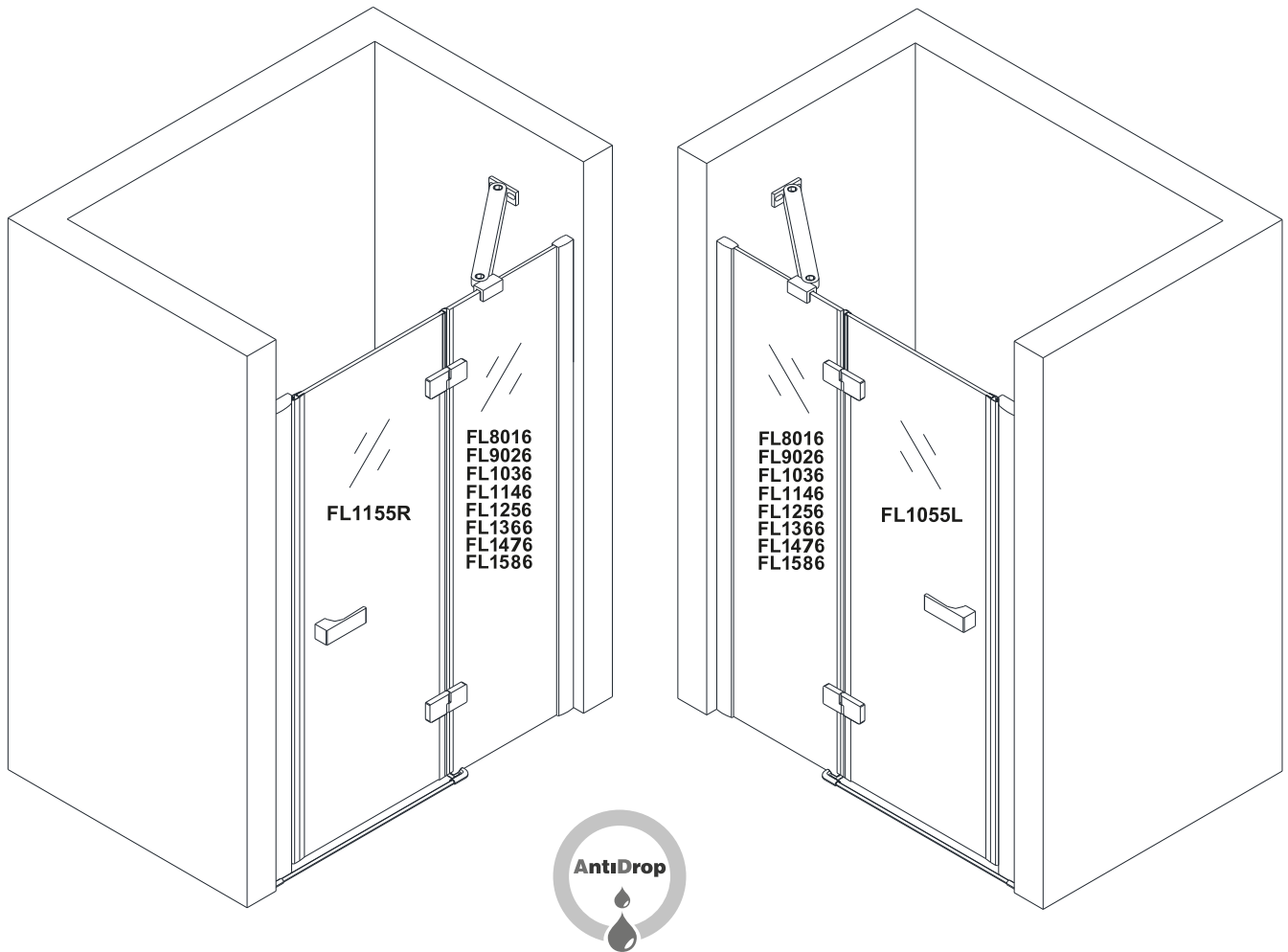
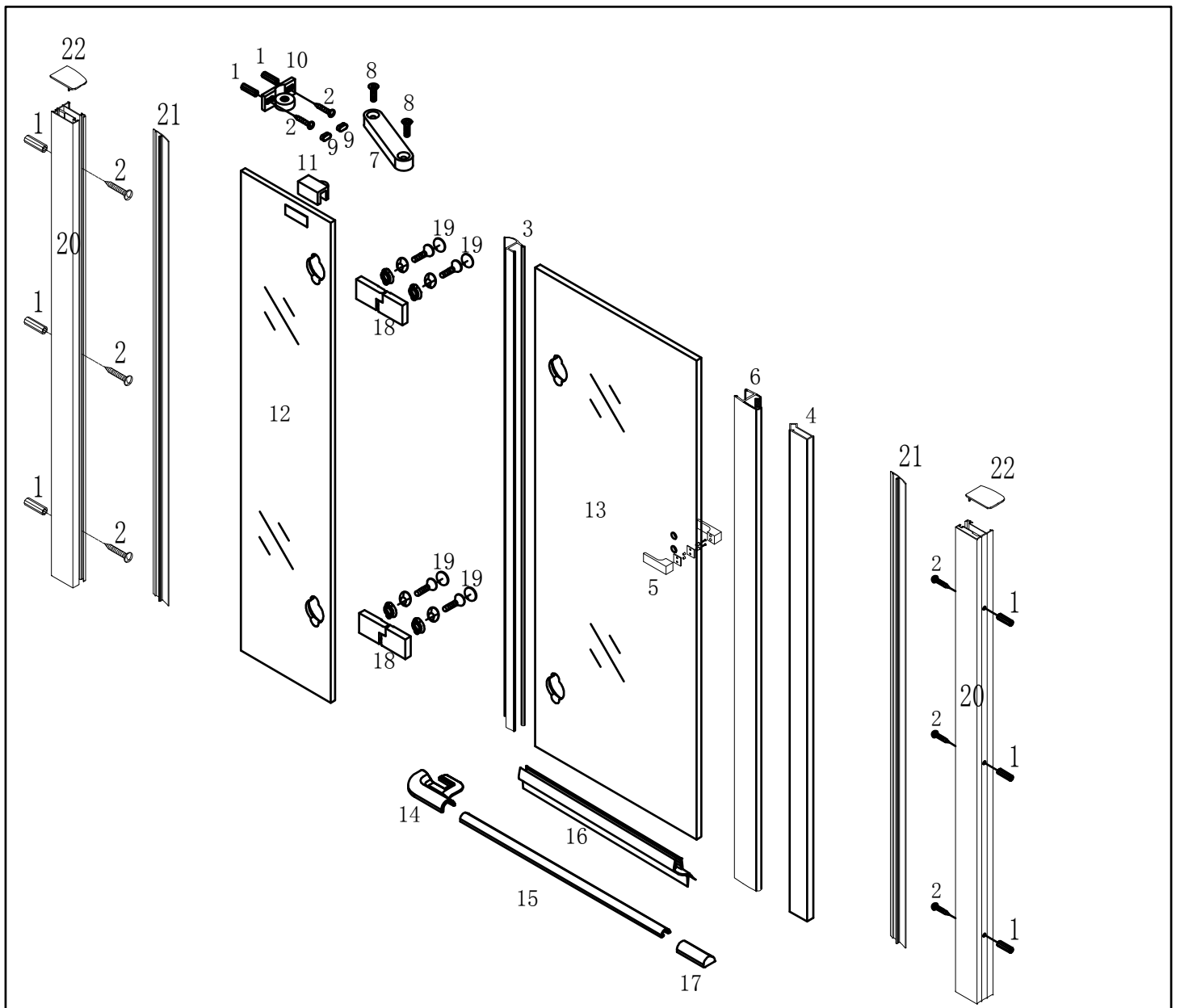
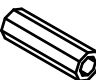

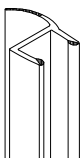
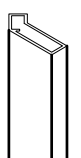
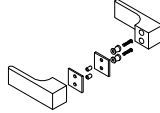

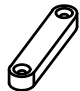


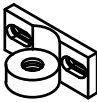
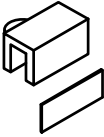



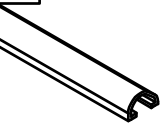


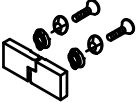

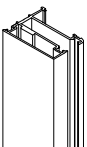





FORTIS LINE

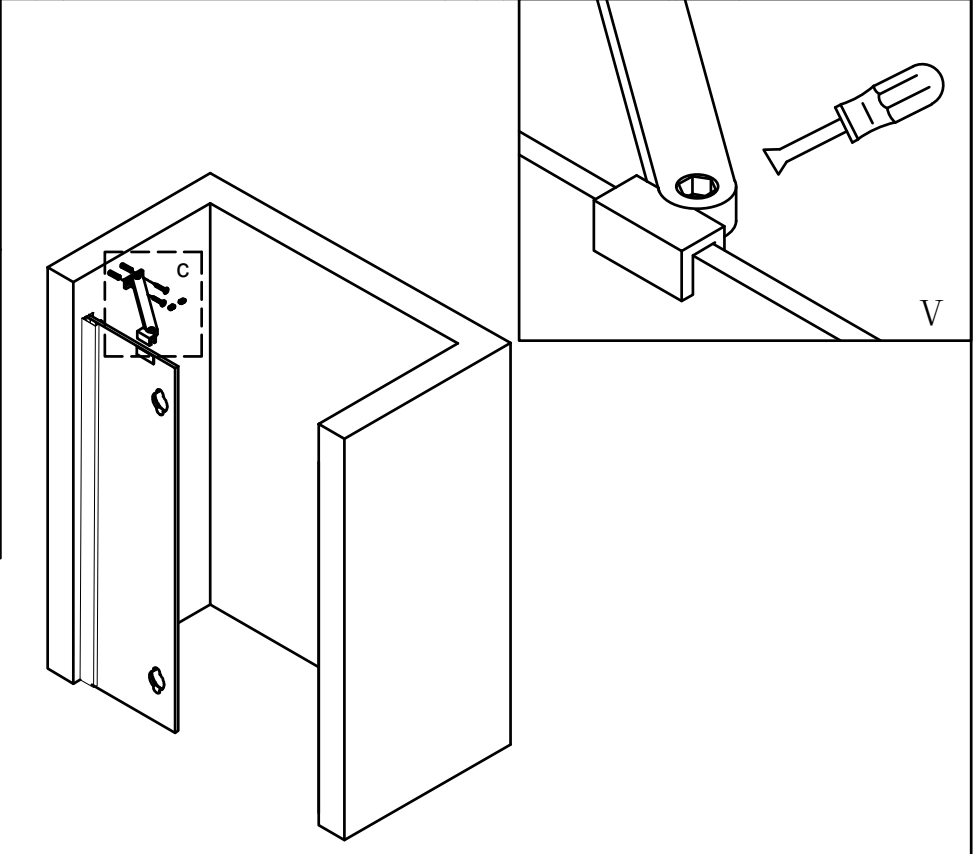
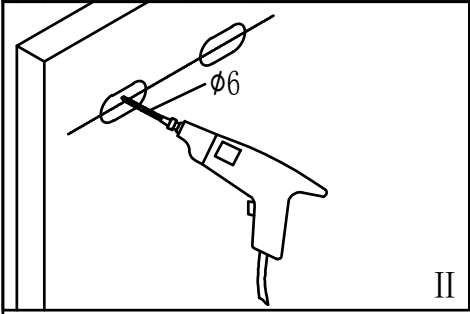
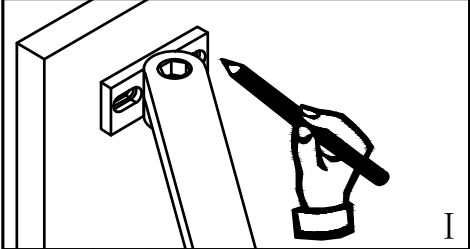
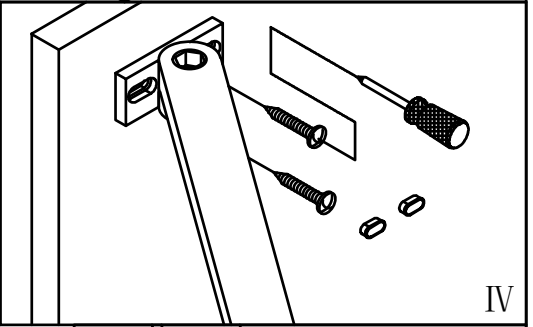
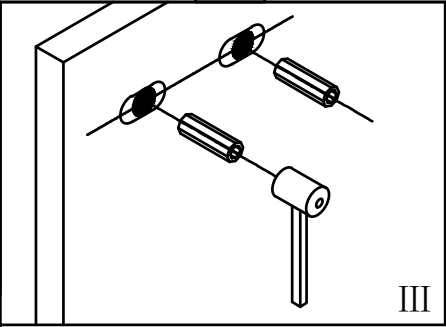
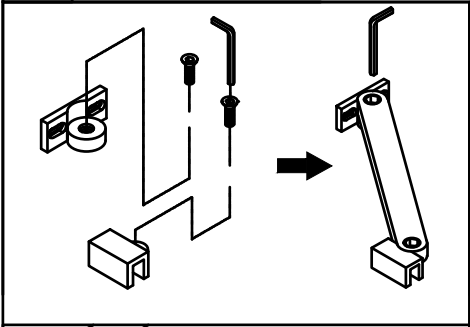
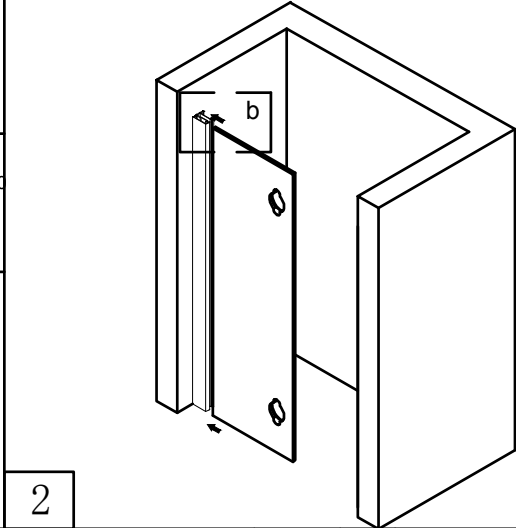
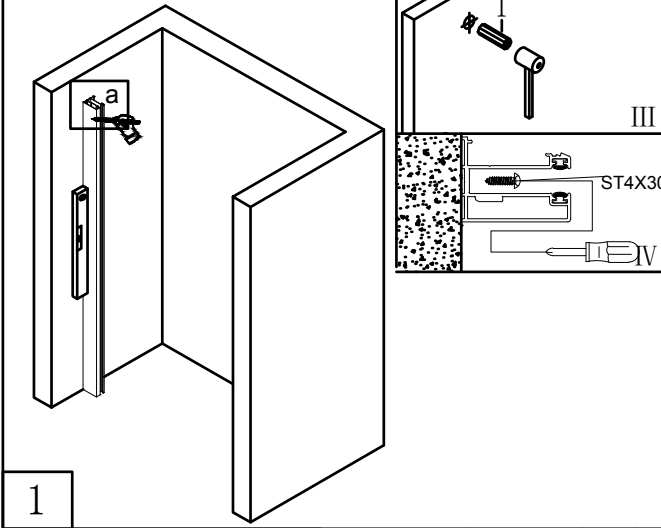
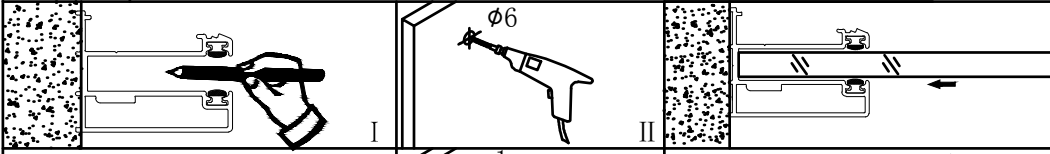
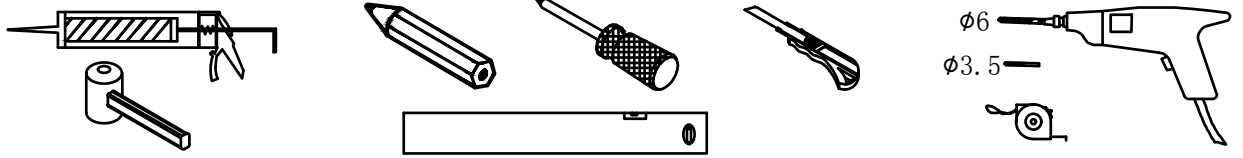


FL1055L+FL8016 = FL1480L
FL1055L+FL9026 = FL1490L
FL1055L+FL1036 = FL1410L
FL1055L+FL1146 = FL1411L
FL1055L+FL1256 = FL1412L
FL1055L+FL1366 = FL1413L
FL1055L+FL1476 = FL1414L
FL1055L+FL1586 = FL1415L
FL1155R+FL8016 = FL1480R
FL1155R+FL9026 = FL1490R
FL1155R+FL1036 = FL1410R
FL1155R+FL1146 = FL1411R
FL1155R+FL1256 = FL1412R
FL1155R+FL1366 = FL1413R
FL1155R+FL1476 = FL1414R
FL1155R+FL1586 = FL1415R

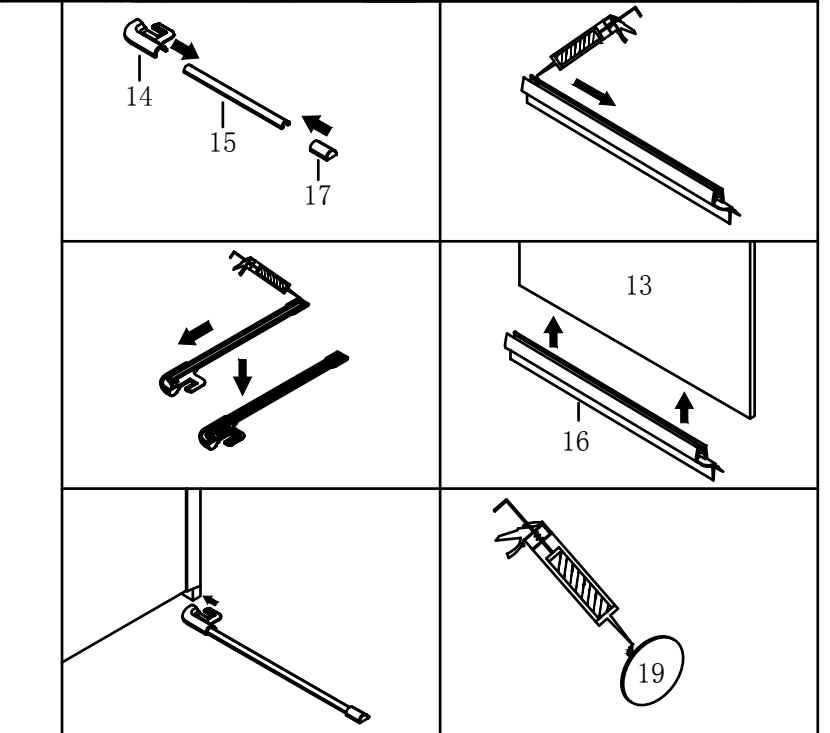
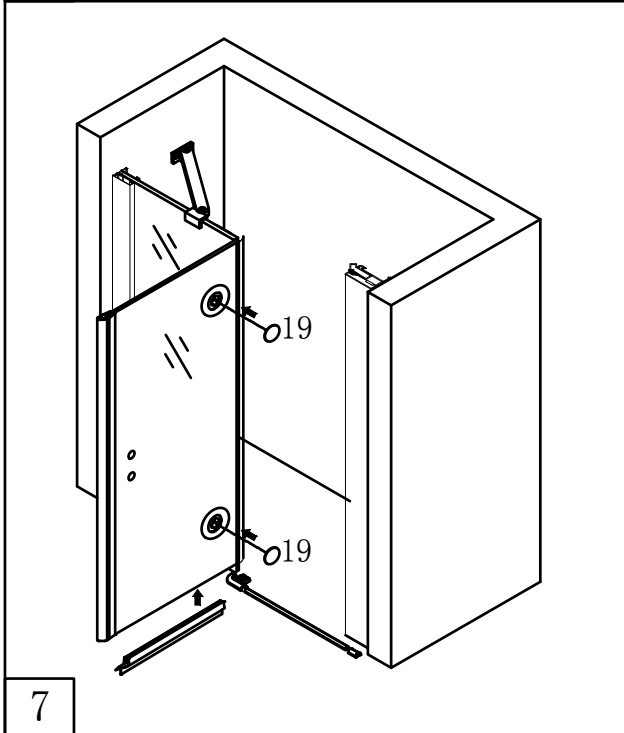
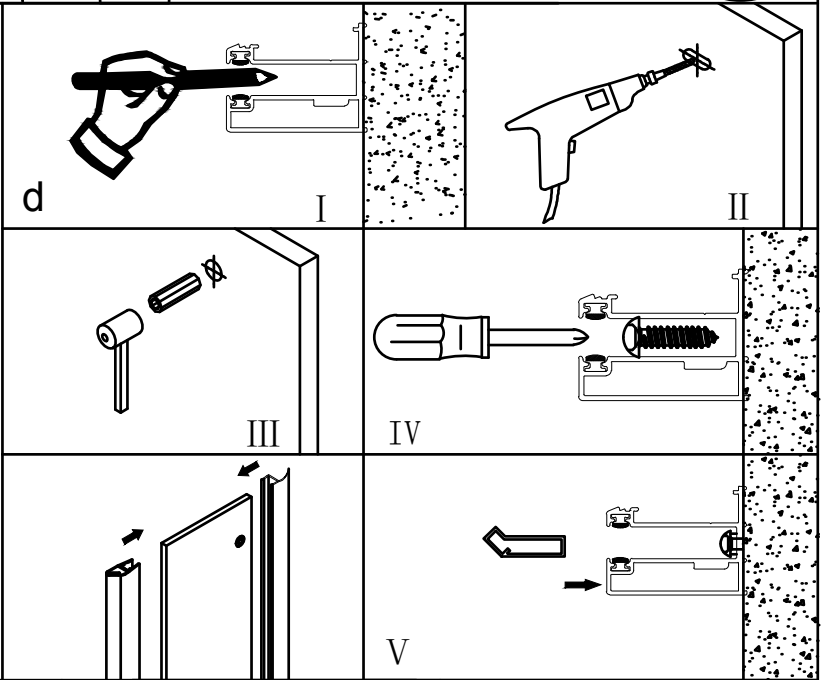
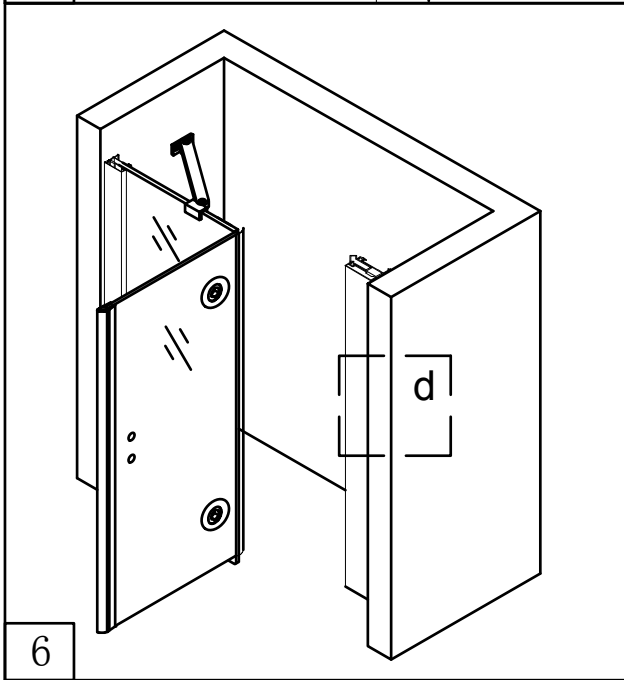
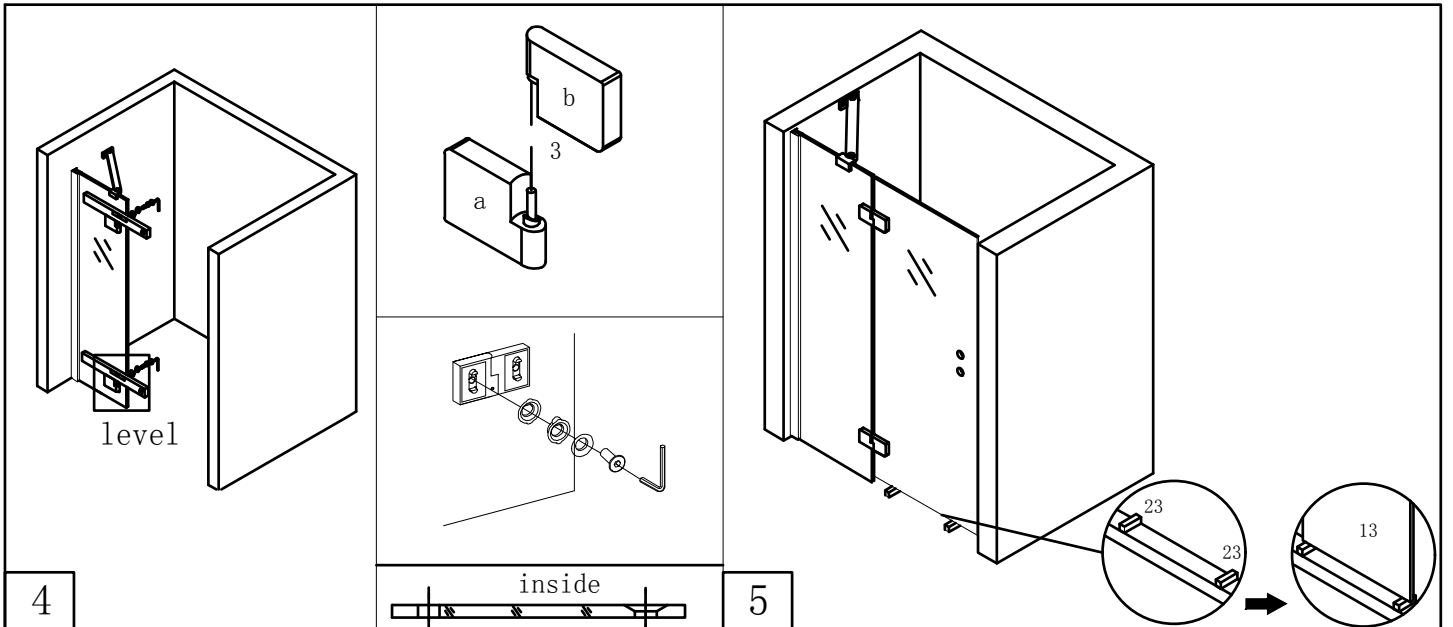


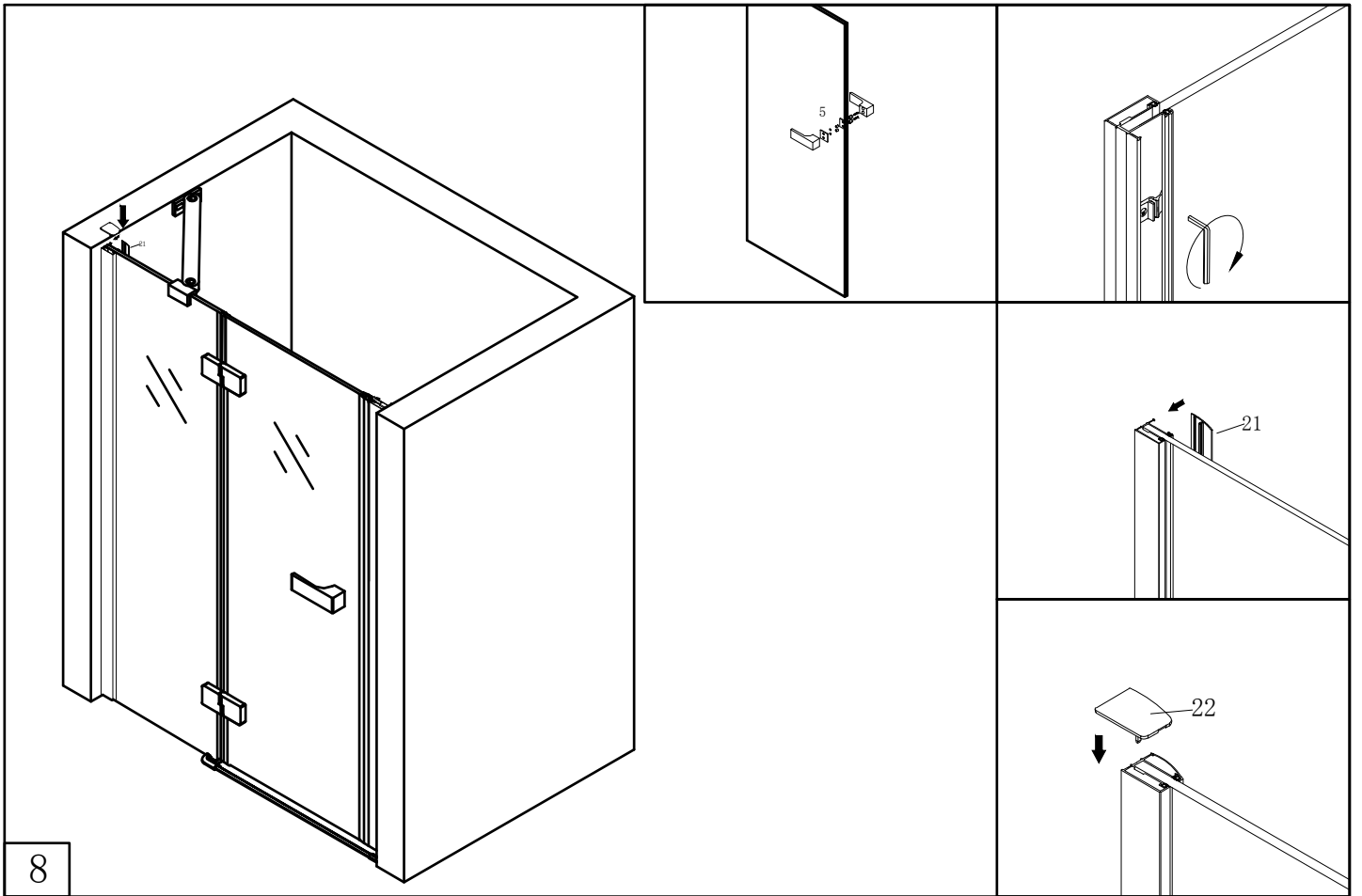
| | | | | | | | | | | | | |
|----|---|----|---|----|---|----|---|----|--|----|--|--|
| 1 |  8Pcs | 2 | ST4X30  8Pcs | 3 |  1Pc | 4 |  1Pcs | 5 |  1Pc | 6 |  1Pc | |
| 7 |  1Pc | 8 |  2Pcs | 9 |  2Pcs | 10 |  1Pc | 11 |  1Pc | 12 |  II 1Pc | |
| 13 |  1Pc | 14 |  1Pc | 15 |  1Pc | 16 |  1Pc | 17 |  1Pc | 18 |  2Pcs | |
| 19 |  4Pcs | 20 |  2Pc | 21 |  2Pc | 22 | L R  2Pc | 23 |  2Pc | | | |

Tools:

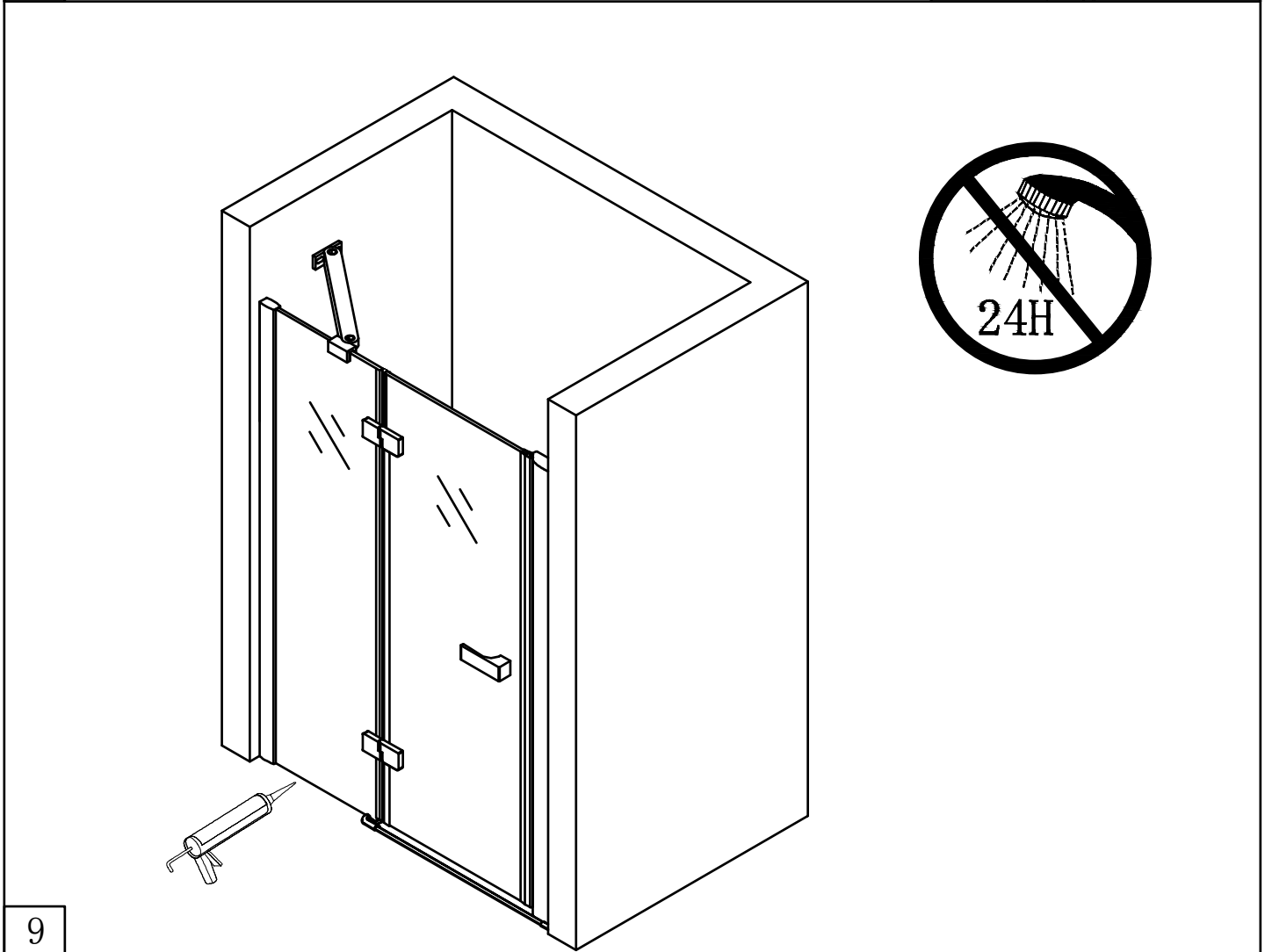


3





8



9



Nesměřice 52
285 22 Zruč nad Sázavou
Česká republika

tel.: +420 327 585 981

fax: +420 327 585 989

www.polysan.net